

## PRODUCT ID: 49110

### Outdoor Blank-out LED Direct-view Sign

#### MODEL

TCL77B-224H/12-24VDC



#### DIMENSIONS

7" H x 7" W x 2.5" D (est. 3.182 lbs)

#### CLASS

CLASS: TCL Series

Control Method: Switch (not included) or external relay.

#### CONSTRUCTION

Cabinet: 1-piece, corrosion resistant, extruded all-weather frame, 2.5" deep.

Face Material: Injection molded, impact resistant Lexan hood with Lexan lenses

Faces: Single Faced Sign

Finish: Duranodic Bronze

Mounting Channel: None

#### ELECTRICAL

Flashing: Factory setting 55fpm.

Input Voltage: 12-24 VDC

UL/cUL Listed: Listed for wet locations

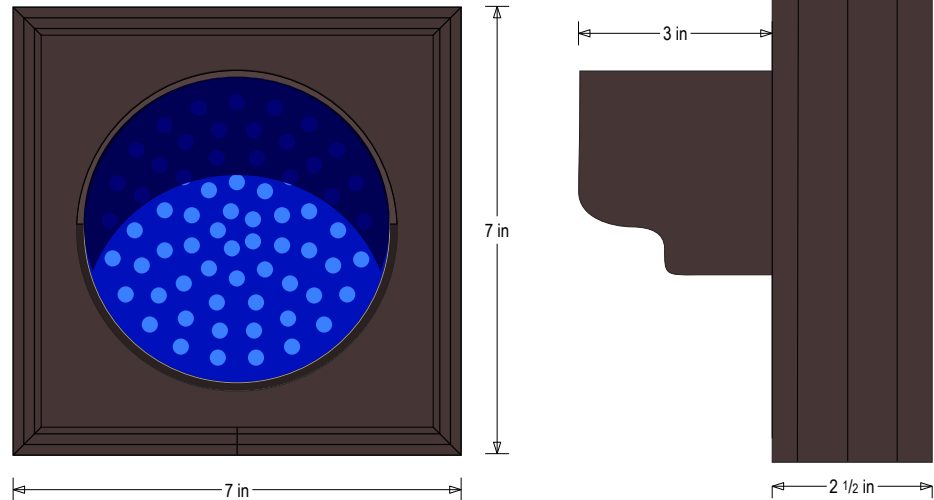
#### MESSAGE

Illumination: Super bright direct view LEDs. Message blanks out when off.

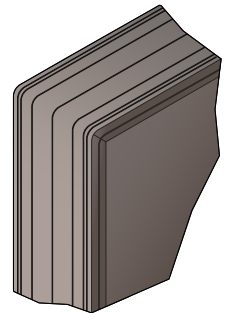
Sign Messages: See message table below

## Product View

NOTE: Sign image may not exactly represent the finished product. For illustration purposes only.



Frame Detail



#### MESSAGE

#### LED/COLOR

#### HEIGHT

#### AMPS

Blue Indicator Dot	Blue Wide Angle LED	4.0"	0.533-0.267
Blue Indicator Dot (Flashing)	Blue Wide Angle LED	4.0"	0.533-0.267

NOTE: Above messages are independently controlled.

#### iSIGNS Inc.

7625 Birkmire Drive

Fairview, PA 16415

Phone: 866-437-3040

Website: [www.isignsled.com](http://www.isignsled.com)



Proudly Made in the USA