

# PRODUCT ID: 40548

## Switch

### MODEL

DG03 SPDT/120VAC

### DIMENSIONS

4.5" H x 4.5" W x 1" D (est. 0.311 lbs)

### CONSTRUCTION

Finish: Switch plate brushed stainless steel

Switch: Switch with pre-wired pigtails and indicator lights

Switch plate: Stamped stainless steel pre-punched for switch(es) and indicator light(s)

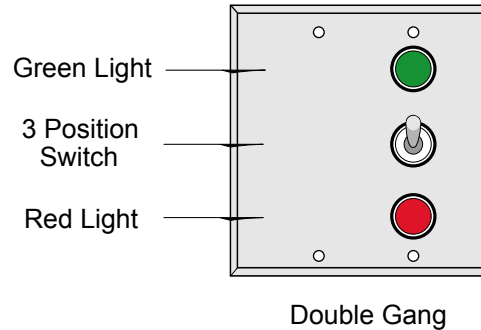
### ELECTRICAL

Input Voltage: 120VAC

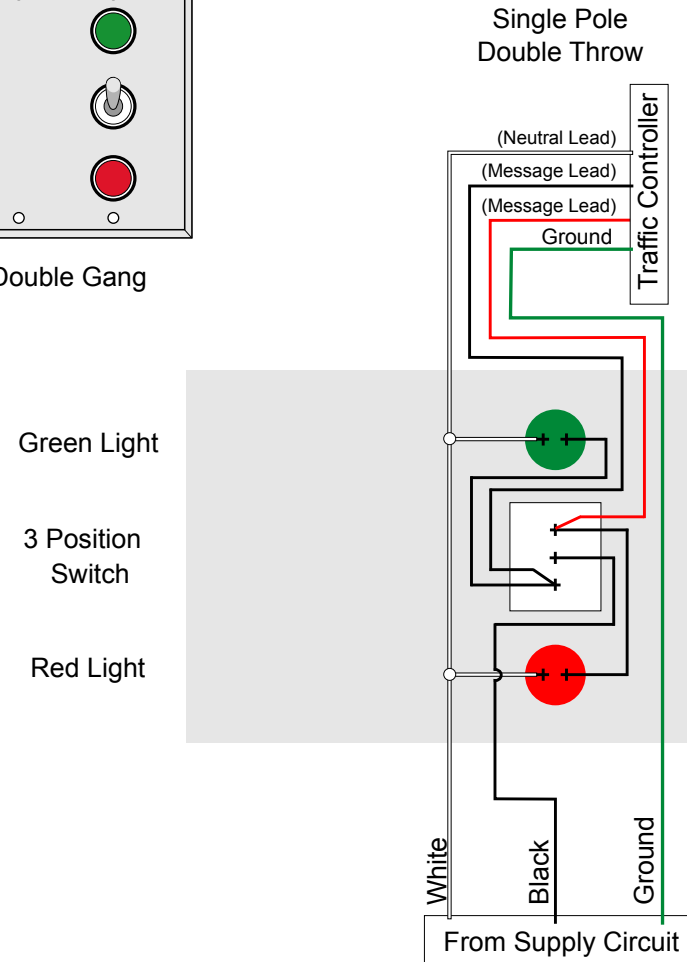
## Product View

NOTE: Sign image may not exactly represent the finished product. For illustration purposes only.

### Front View



### Schematic View



iSIGNS Inc.  
7625 Birkmire Drive  
Fairview, PA 16415  
Phone: 866-437-3040  
Website: [www.isignsled.com](http://www.isignsled.com)



Proudly Made in the USA