

PRODUCT ID: 8763

Switch

MODEL

TG222-RAG SPST/120VAC

DIMENSIONS

4.5" H x 6.37" W x 1" D (est. 1 lbs)

CONSTRUCTION

Finish: Switch plate brushed stainless steel

Switch: Switch with pre-wired pigtailed and indicator lights

Switch plate: Stamped stainless steel pre-punched for switch(es) and indicator light(s)

ELECTRICAL

Input Voltage: 120VAC

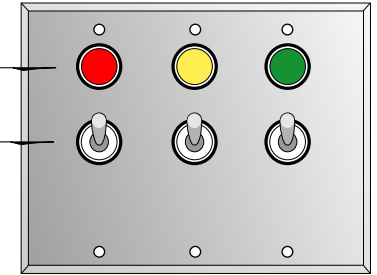
Product View

NOTE: Sign image may not exactly represent the finished product. For illustration purposes only.

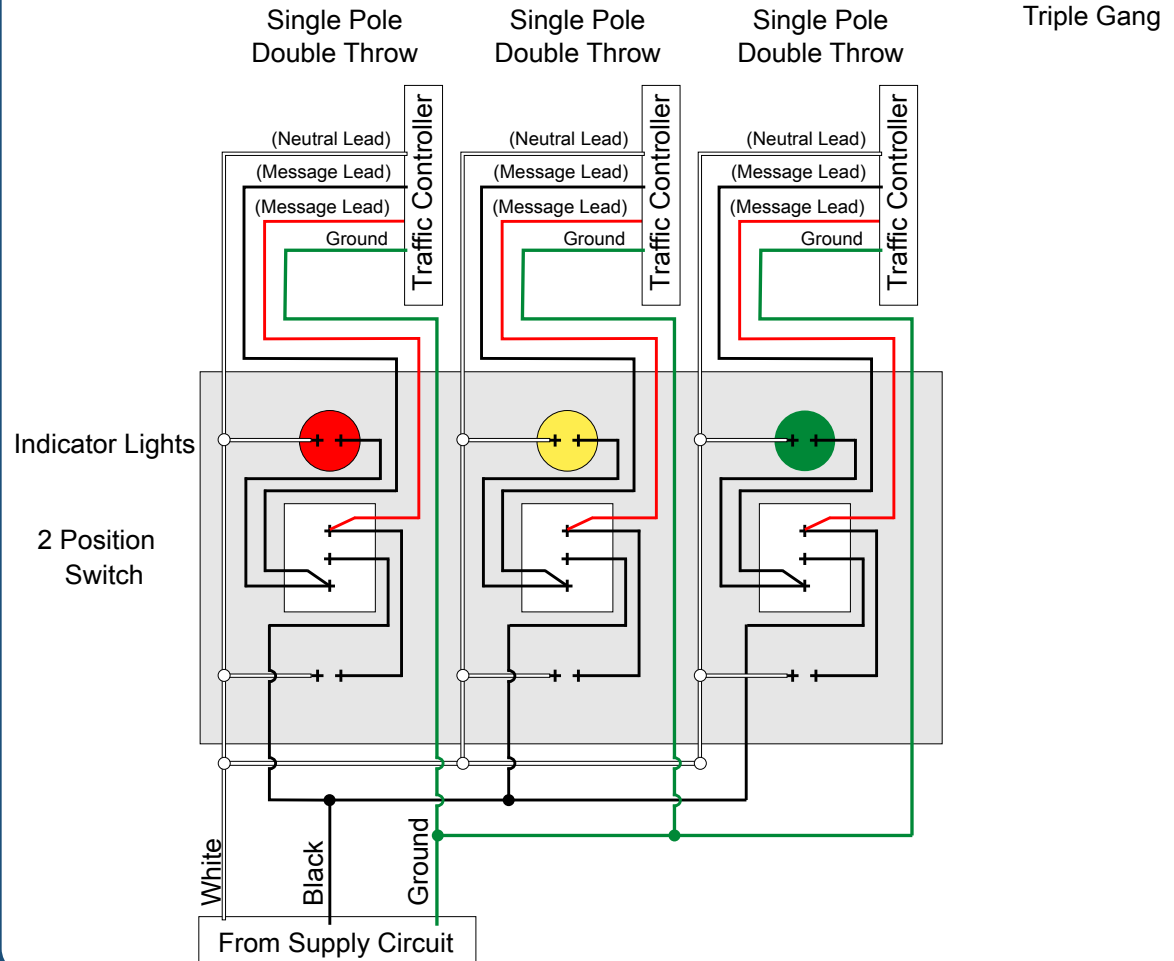
Front View

Indicator Lights

2 Position
Switch



Schematic View



iSIGNS Inc.
7625 Birkmire Drive
Fairview, PA 16415
Phone: 866-437-3040
Website: www.isignsled.com



Proudly Made in the USA