

## PRODUCT ID: 38900

Extrusion

### MODEL

SIS-16

### DIMENSIONS

2.731" H x 1.42" W x 15.688" D (est. 1.092 lbs)

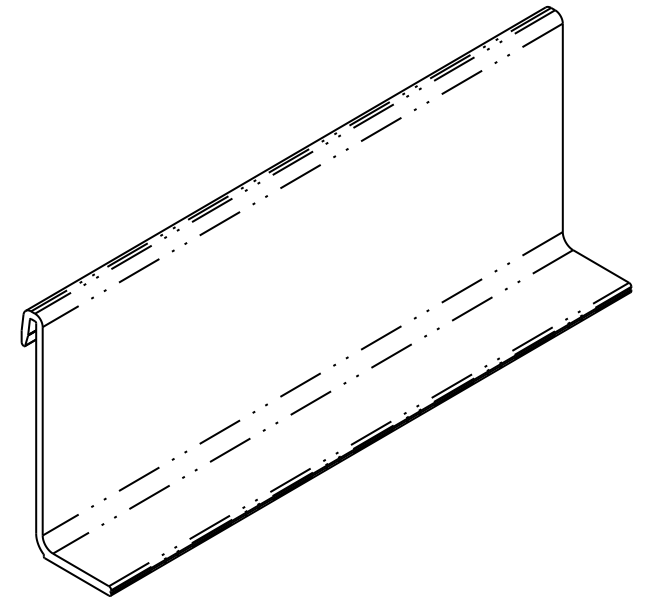
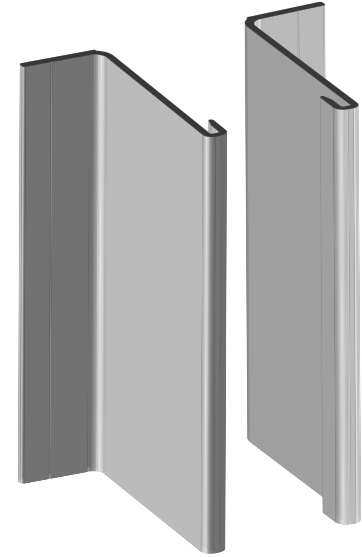
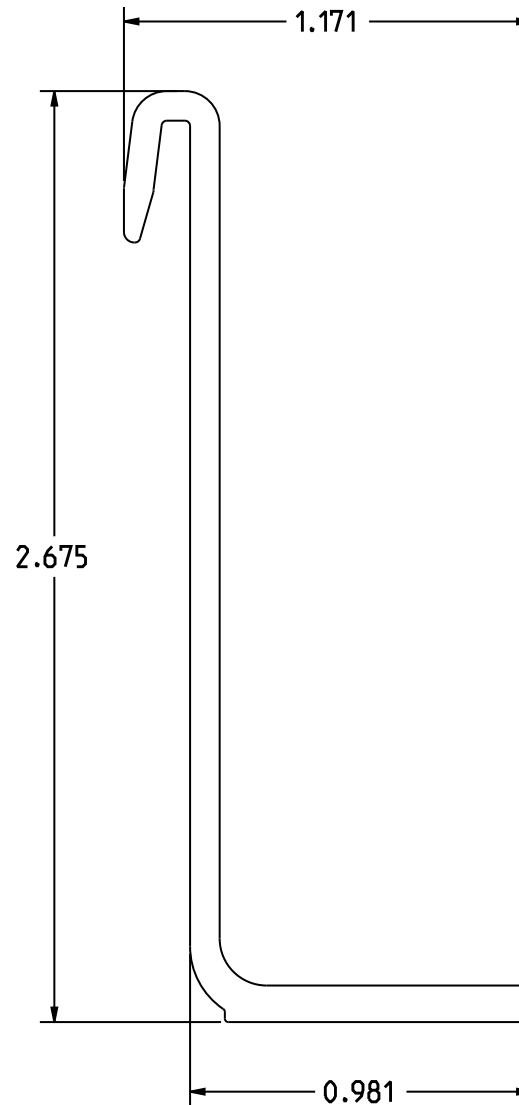
iSIGNS Inc.  
7625 Birkmire Drive  
Fairview, PA 16415  
Phone: 866-437-3040  
Website: [www.isignsled.com](http://www.isignsled.com)



Proudly Made in the USA

## Product View

NOTE: Sign image may not exactly represent the finished product. For illustration purposes only.



OVERALL LENGTH = SIGN DIMENSION - 5/16"