

# Switch DG

**PRODUCT ID**  
39601

**DIMENSIONS**  
4.5" H x 4.5" W x 1" D

**CONSTRUCTION**

**Finish:** Switch plate brushed stainless steel  
**Switch:** Switch with pre-wired pigtails and LED indicator lights  
**Switch plate:** Stamped stainless steel pre-punched for switch(es) and indicator light(s)

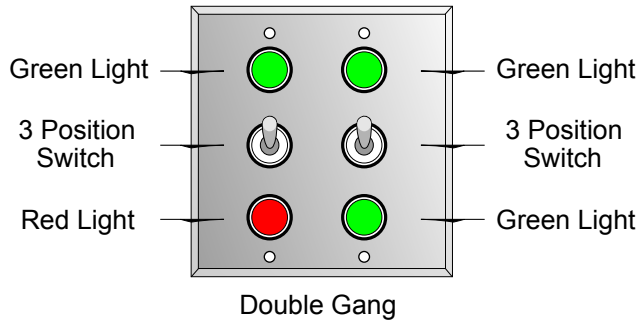
**ELECTRICAL**  
Voltage: 120VAC

NOTE: Other LED colors, voltages, cabinet sizes, styles, and colors available.

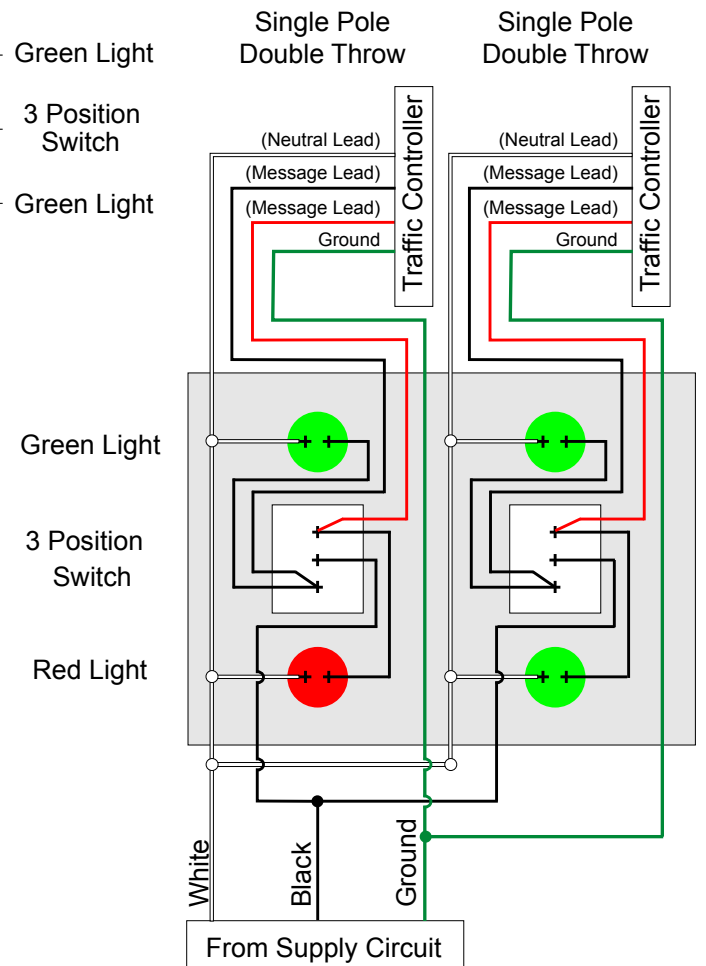
## Product View

NOTE: Sign image may not exactly represent the finished product. For illustration purposes only.

### Front View



### Schematic View



**iSigns**  
7625 Birkmire Drive  
Fairview, PA 16415  
Phone: 866-437-3040



Proudly Made in the USA