

## PRODUCT ID: 39329

### Switch

#### MODEL

SG3 SPDT/120VAC

#### DIMENSIONS

4.5" H x 2.75" W x 1" D (est. 0.241 lbs)

#### CONSTRUCTION

**Finish:** Switch plate brushed stainless steel

**Switch:** Switch with pre-wired pigtails and indicator lights

**Switch plate:** Stamped stainless steel pre-punched for switch(es) and indicator light(s)

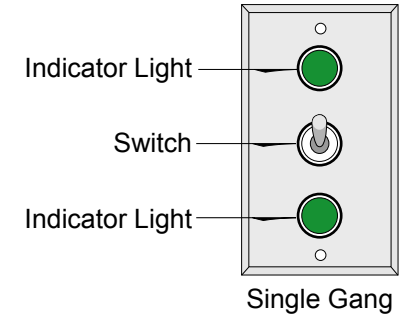
#### ELECTRICAL

**Input Voltage:** 120VAC

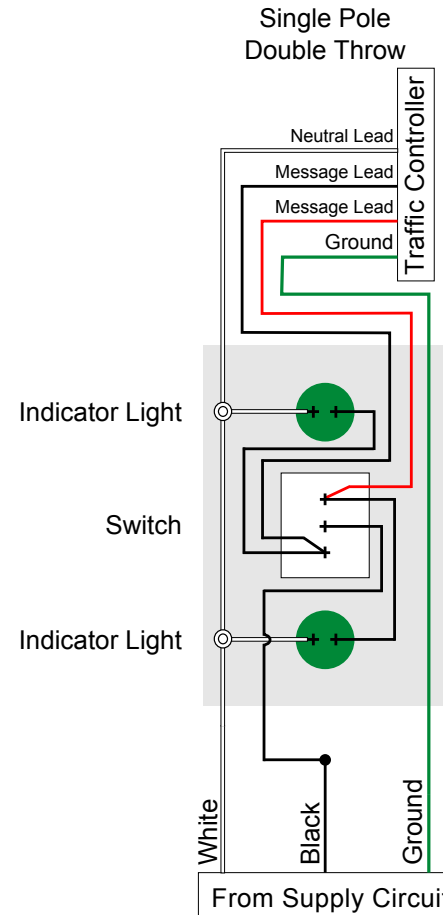
## Product View

NOTE: Sign image may not exactly represent the finished product. For illustration purposes only.

### Front View



### Schematic View



iSIGNS Inc.  
7625 Birkmire Drive  
Fairview, PA 16415  
Phone: 866-437-3040  
Website: [www.isignsled.com](http://www.isignsled.com)



Proudly Made in the USA