

PRODUCT ID: 34469

Switch

MODEL

FG0330 SPDT/120VAC

DIMENSIONS

4.5" H x 8.18" W x 1" D (est. 1.521 lbs)

CONSTRUCTION

Finish: Switch plate brushed stainless steel

Switch: Switch with pre-wired pigtailed and indicator lights

Switch plate: Stamped stainless steel pre-punched for switch(es) and indicator light(s)

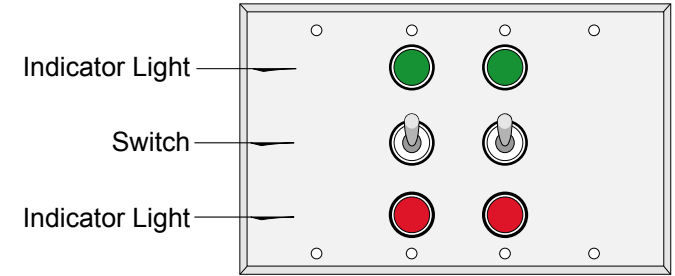
ELECTRICAL

Input Voltage: 120VAC

Product View

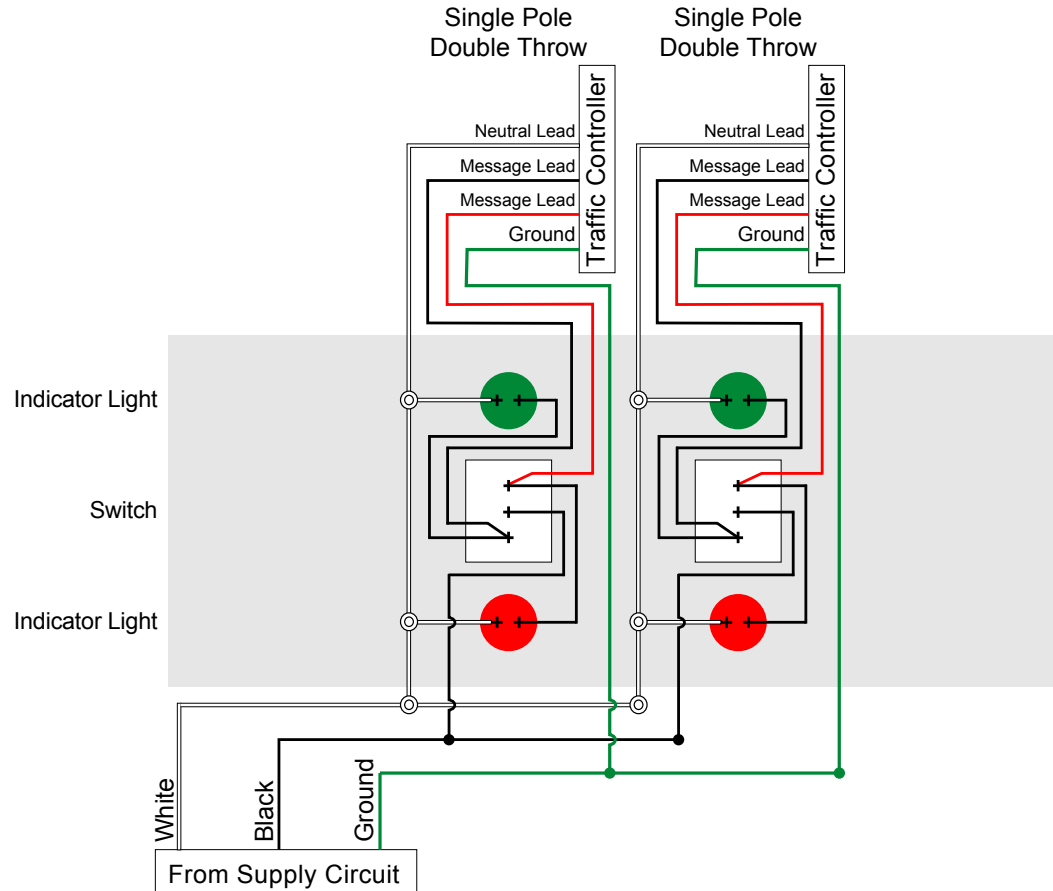
NOTE: Sign image may not exactly represent the finished product. For illustration purposes only.

Front View



Four Gang

Schematic View



iSIGNS Inc.
7625 Birkmire Drive
Fairview, PA 16415
Phone: 866-437-3040
Website: www.isignsled.com



Proudly Made in the USA