

**PRODUCT ID: 18247**  
Recessed Frame

**MODEL**  
RF1214

**DIMENSIONS**  
15" H x 17" W x 1.75" D (est. 3.283 lbs)

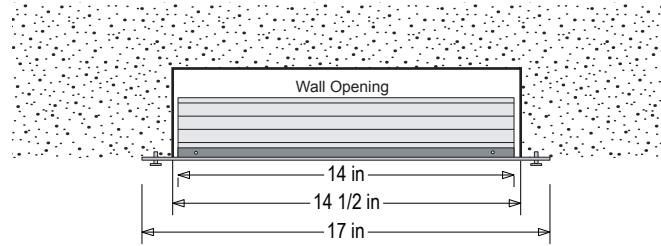
**CONSTRUCTION**  
Finish: Duranodic Bronze  
Material: Formed 1/8" CNC routed aluminum. Holes for mounting sign pre-drilled.

**INSTALLATION**  
Note: Wall opening should be 0.5" larger than sign OD

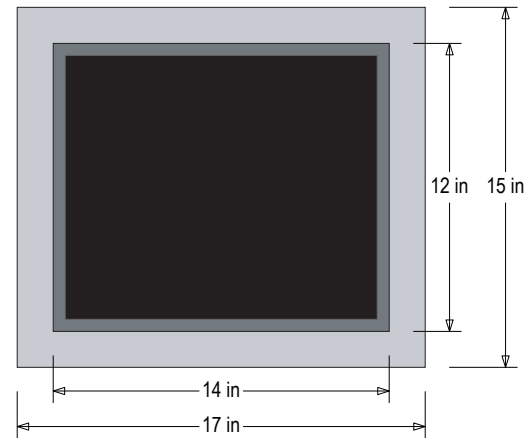
**Product View**

NOTE: Sign image may not exactly represent the finished product. For illustration purposes only.

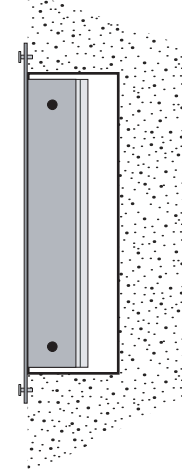
TOP VIEW



FRONT VIEW



SIDE VIEW



iSIGNS Inc.  
7625 Birkmire Drive  
Fairview, PA 16415  
Phone: 866-437-3040  
Website: [www.isignsled.com](http://www.isignsled.com)



Proudly Made in the USA