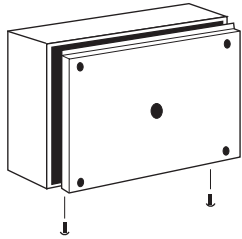


# (TC) TRAFFIC CONTROLLERS

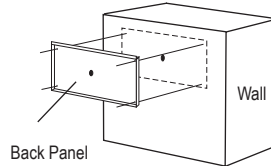
## Installation Instructions

### Standard Wall Mount

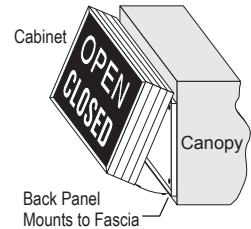
- Remove the back panel of the unit by unscrewing the two retaining screws on the bottom of the unit.



- Mount the back panel to the appropriate building face with four fasteners. (Not Supplied)



- Lift the cabinet on the top edge of the back panel and shift forward, make wire connections according to the instructions below, then replace the two retaining screws removed in step one.

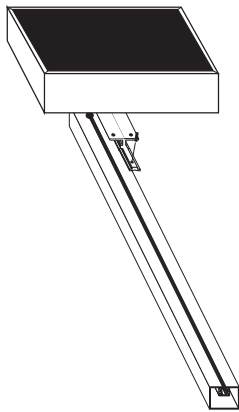


**Note:** Make appropriate wiring connections per local codes.



**Note:** This sign is intended to be installed in accordance with the requirements of Article 600 of the National Electric Code and/or other applicable local codes. This includes proper grounding and bonding of the sign.

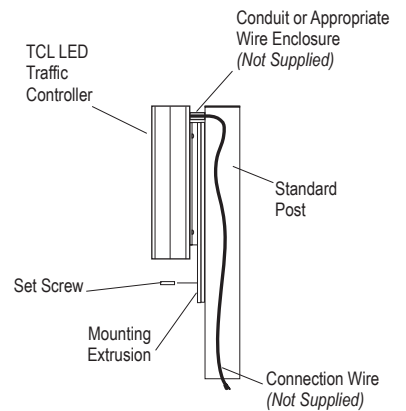
### Center or Double Post Mount



- Lay the post(s) on ground, slide cabinet with mounting extrusion already attached into post slot.
- Align the cabinet flush with top of the post(s).
- Tighten the set screw in the mounting extrusions and fasten the post cap on the post(s).
- Level the sign both horizontally and vertically.



**Note:** Make appropriate wiring connections per local codes.



### Angle Mount

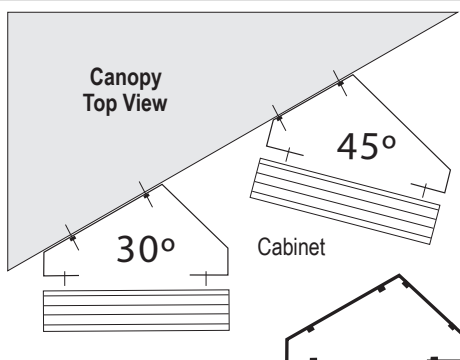
- Remove the back panel.
- Mount the angle bracket to the desired surface (*Fasteners Not Supplied*).
- Mount the back panel to the angle bracket (*Fasteners Not Supplied*).

**Note:** Make appropriate wiring connections per local codes.



**Note:** Do not over tighten or distort back panel. Hang the cabinet on the top edge of the back panel

- Hinge cabinet back and replace the screws that were removed in step one on the reverse side.



One bracket, two angles. Custom angles available.

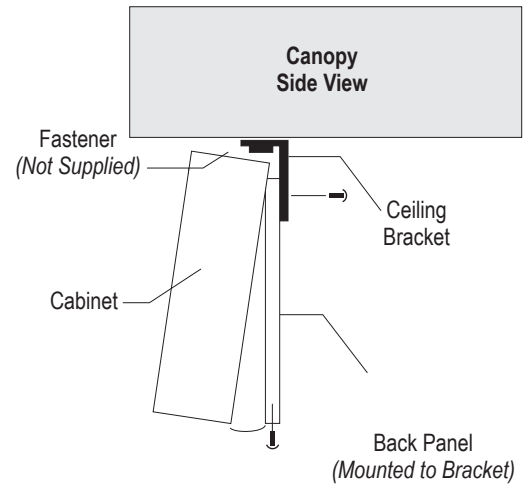
## Ceiling Mount

- Remove the back panel.
- Mount the ceiling bracket to the desired surface (*Fasteners Not Supplied*).
- Mount the back panel to the ceiling bracket (*Fasteners Not Supplied*).

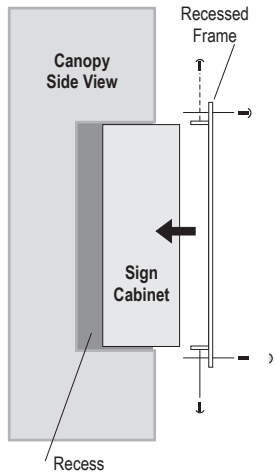
**Note:** Make appropriate wiring connections per local codes.



**Note:** Do not over tighten or distort back panel. Hang the cabinet on the top edge of the back panel



- Hinge cabinet back and replace the screws that were removed in step one on the reverse side.



## Recessed Frame Mount

- Fasten the recessed mounting bracket flush with the front of the Neon traffic controller cabinet.
- Slide assembled unit into the recess opening.
- Fasten the mounting bracket to the face of the opening with four fasteners (*Not Supplied*).

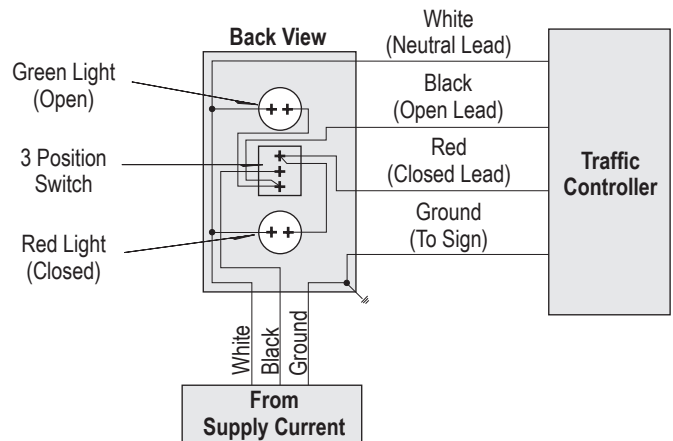
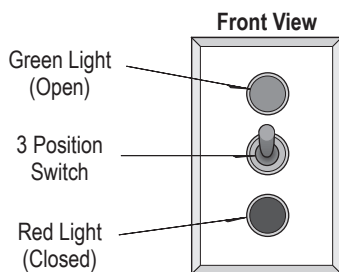


**Note:** Make appropriate wiring connections per local codes.

Model	Wall Opening	Outer Dimension
TCI/L V/H	7 <sup>1</sup> / <sub>2</sub> " x 14 <sup>1</sup> / <sub>2</sub> "	10 <sup>3</sup> / <sub>4</sub> " x 17 <sup>3</sup> / <sub>4</sub> "
TC/L/U 718	7 <sup>1</sup> / <sub>2</sub> " x 18 <sup>1</sup> / <sub>2</sub> "	10" x 21"
TC/L 726	7 <sup>1</sup> / <sub>2</sub> " x 26 <sup>1</sup> / <sub>2</sub> "	10" x 29"
TC/L/U 734	7 <sup>1</sup> / <sub>2</sub> " x 34 <sup>1</sup> / <sub>2</sub> "	10" x 37"
TC/L 742	7 <sup>1</sup> / <sub>2</sub> " x 42 <sup>1</sup> / <sub>2</sub> "	10" x 45"
TC/L/U 1418	14 <sup>1</sup> / <sub>2</sub> " x 18 <sup>1</sup> / <sub>2</sub> "	17" x 21"
TC/L 1426	14 <sup>1</sup> / <sub>2</sub> " x 26 <sup>1</sup> / <sub>2</sub> "	17" x 29"
TC/L 1434	14 <sup>1</sup> / <sub>2</sub> " x 34 <sup>1</sup> / <sub>2</sub> "	17" x 37"
TC/L 1442	14 <sup>1</sup> / <sub>2</sub> " x 42 <sup>1</sup> / <sub>2</sub> "	17" x 45"
TC/L 2118	21 <sup>1</sup> / <sub>2</sub> " x 18 <sup>1</sup> / <sub>2</sub> "	24" x 21"
TC/L 2126	21 <sup>1</sup> / <sub>2</sub> " x 26 <sup>1</sup> / <sub>2</sub> "	24" x 29"
TC/L 2134	21 <sup>1</sup> / <sub>2</sub> " x 34 <sup>1</sup> / <sub>2</sub> "	24" x 37"
TC/L 2818	28 <sup>1</sup> / <sub>2</sub> " x 18 <sup>1</sup> / <sub>2</sub> "	31" x 21"
TCL 77	7 <sup>1</sup> / <sub>2</sub> " x 7 <sup>1</sup> / <sub>2</sub> "	10" x 10"
TCL 1026	10 <sup>1</sup> / <sub>2</sub> " x 26 <sup>1</sup> / <sub>2</sub> "	13" x 29"
TCL 1212	12 <sup>1</sup> / <sub>2</sub> " x 12 <sup>1</sup> / <sub>2</sub> "	15" x 15"
TCL 1818	18 <sup>1</sup> / <sub>2</sub> " x 18 <sup>1</sup> / <sub>2</sub> "	21" x 21"

## Optional Control Switch - Wiring Schematic

Wiring diagram for teller control switch with three position switch and green and red indicator lights.



For Supply Connections Use Wire Rated  
For At Least 110° C  
120 Volts 0.6 Amps