

# Recessed Frame Mount RFI

## PRODUCT NUMBER

3025

## DIMENSIONS

17" H x 10" W x .125" D

## INSTALLATION METHOD

Four tabs are bent allowing TCI cabinet to be mounted using 4 screws. Mounts to surface using the four 3/16" face frame holes using appropriate fasteners for surface material.

## CONSTRUCTION

Cabinet - 1/8" Aluminum plate punched with mounting tabs and 3/16" holes

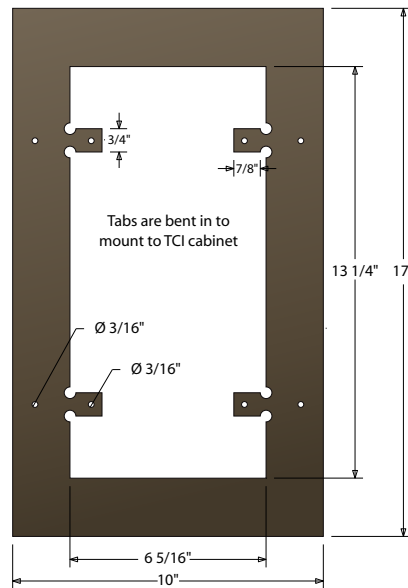
## FINISH

Painted Standard Duranodic Bronze. Custom colors available upon request.

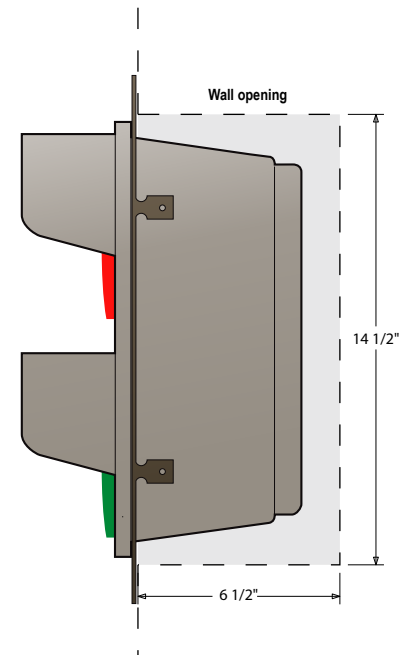
## Product View

NOTE: Sign image may not exactly represent the finished product. For illustration purposes only.

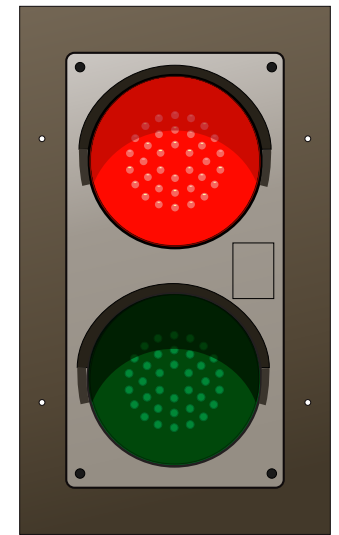
Back View



Side View



Front View



Illustrated using a vertical TCIL LED Signal horizontal and incandescent TCI Signals similar

Wall opening must be 14-1/2" H x 7-1/2" L x 6-1/2" D