

PRODUCT ID: 6291

Outdoor Blank-out LED Direct-view Sign

MODEL

TCL77R-224H

DIMENSIONS

7" H x 7" W x 2.5" D (est. 3.02 lbs)

CLASS

CLASS: TCL Series

Control Method: Switch (not included) or external relay.

CONSTRUCTION

Cabinet: 1-piece, corrosion resistant, extruded aluminum frame, 2.5" deep.

Face Material: Injection molded, impact resistant Lexan® hood with Lexan® lenses

Faces: Single Faced Sign

Finish: Duranodic Bronze

Mounting Channel:

ELECTRICAL

Flashing: Included. 6-300 flash rate. Factory setting 55fpm. Can be disabled

Input Voltage: 120-277 VAC

UL/cUL Listed: Listed for wet locations

MESSAGE

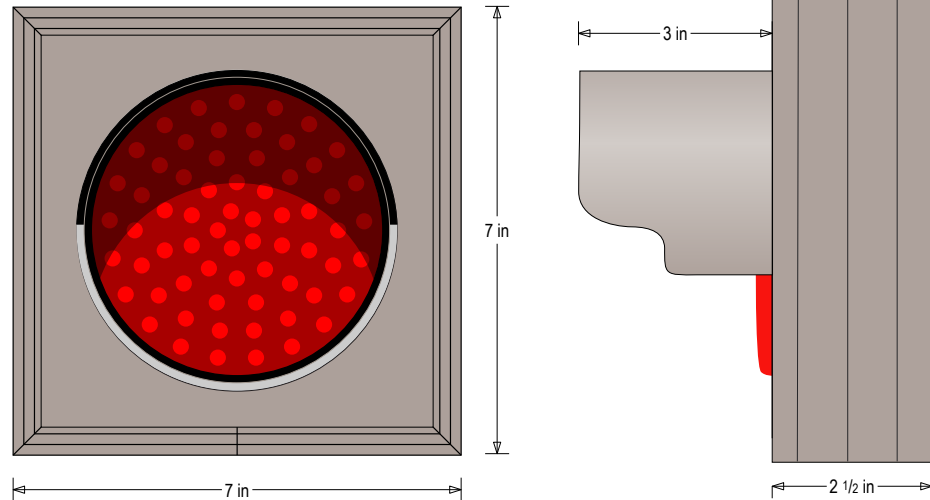
Illumination: Super bright direct view LEDs. Message blanks out when off.

Sign Messages: See message table below



Product View

NOTE: Sign image may not exactly represent the finished product. For illustration purposes only.



MESSAGE	LED/COLOR	HEIGHT	AMPS
Red Indicator Dot	Red Wide Angle LED	4.0"	0.033-0.014

NOTE: Above messages are independently controlled.

iSIGNS Inc.

7625 Birkmire Drive

Fairview, PA 16415

Phone: 866-437-3040

Website: www.isignsled.com



Proudly Made in the USA