

PRODUCT ID: 3062

Side/Sleeve Mount Bracket

MODEL

SMI

DIMENSIONS

4" H x 4.5" W x 2" D (est. 0.435 lbs)

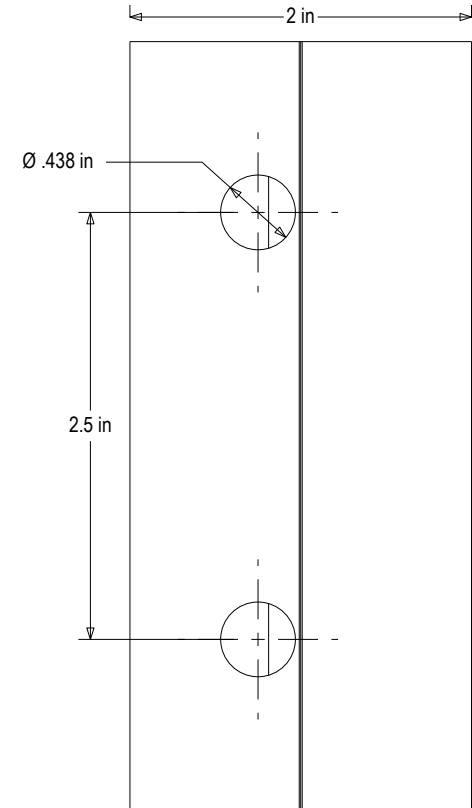
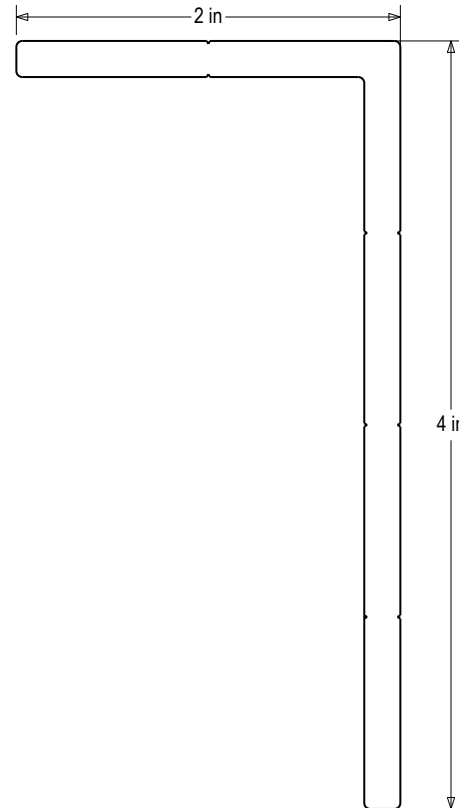
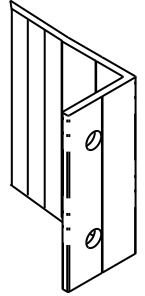
CONSTRUCTION

Finish: Duranodic Bronze

Material: 3/16" architectural aluminum angle 6063-T6. Mounting holes pre-drilled.

Product View

NOTE: Sign image may not exactly represent the finished product. For illustration purposes only.



iSIGNS Inc.
7625 Birkmire Drive
Fairview, PA 16415
Phone: 866-437-3040
Website: www.isignsled.com



Proudly Made in the USA