

LED Light Engine LE-B/120-277V

PRODUCT ID

2797

DIMENSIONS

3.5" H x 5" W x 4.5" D

CONSTRUCTION

Dome: Impact resistant optically clear polycarbonate

Housing: Injection molded white polycarbonate. Medium Edison base, direct replacement for incandescent light bulbs. Recommended for dry location only.

ELECTRICAL

Power: Solid state, Low power requirements (4.4 Watts each)

ILLUMINATION SOURCE

Color: Blue LEDs

Source: Super bright, wide viewing angle LEDs.

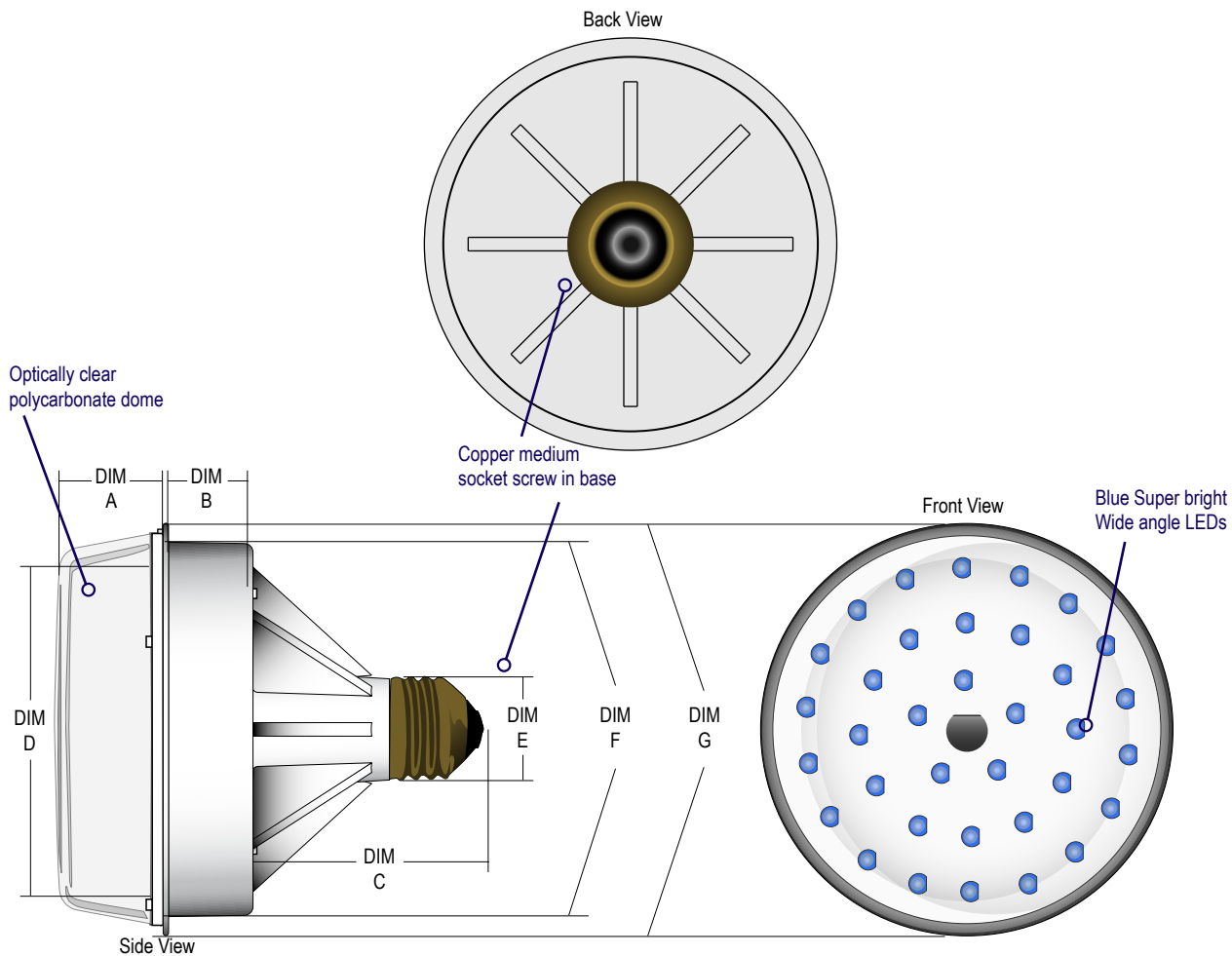
MISCELLANEOUS

Voltage: 120 - 277 VAC

NOTE: Other LED colors, voltages, cabinet sizes, styles, and colors available.

Product View

NOTE: Sign image may not exactly represent the finished product. For illustration purposes only.



100,000-Hour Life Expectancy

LED Light Engine Dimesions

DIM A	DIM B	DIM C	DIM D	DIM E	DIM F	DIM G
1.00"	0.75"	2.25"	3.25"	1.00"	3.50"	3.875"

iSigns

7625 Birkmire Drive
Fairview, PA 16415
Phone: 866-437-3040



Proudly Made in the USA