

# LED Light Engine LE-A/120-277V

**PRODUCT ID**  
2795

**DIMENSIONS**  
3.5" H x 5" W x 4.5" D

**CONSTRUCTION**

**Dome:** Impact resistant optically clear polycarbonate  
**Housing:** Injection molded white polycarbonate. Medium Edison base, direct replacement for incandescent light bulbs. Recommended for dry location only.

**ELECTRICAL**

**Power:** Solid state, Low power requirements (4.4 Watts each)

**ILLUMINATION SOURCE**

**Color:** Amber LEDs  
**Source:** Super bright, wide viewing angle LEDs.

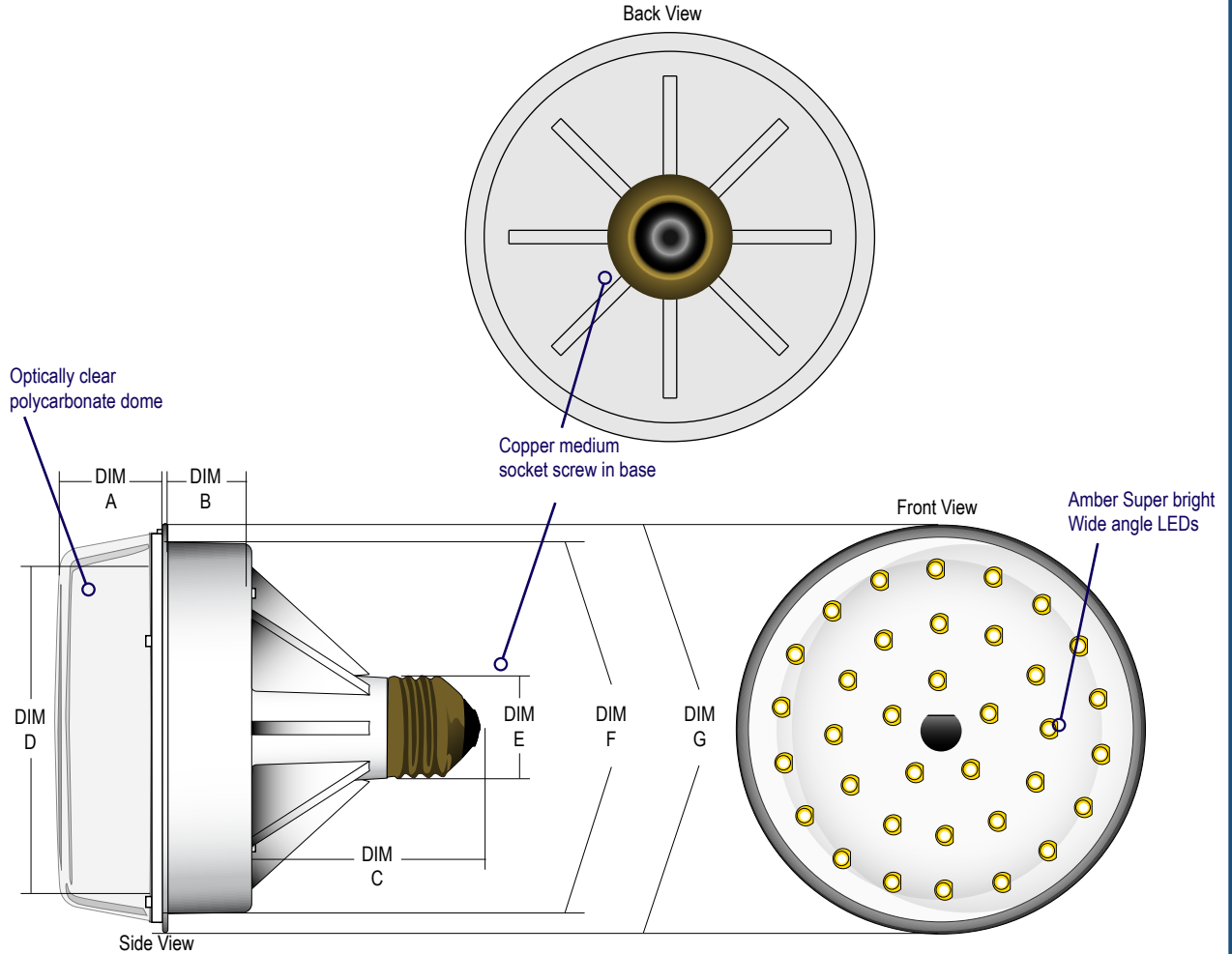
**MISCELLANEOUS**

**Voltage:** 120 - 277 VAC

NOTE: Other LED colors, voltages, cabinet sizes, styles, and colors available.

## Product View

NOTE: Sign image may not exactly represent the finished product. For illustration purposes only.



100,000-Hour Life Expectancy

LED Light Engine Dimensions

| DIM A | DIM B | DIM C | DIM D | DIM E | DIM F | DIM G  |
|-------|-------|-------|-------|-------|-------|--------|
| 1.00" | 0.75" | 2.25" | 3.25" | 1.00" | 3.50" | 3.875" |

**iSigns**  
7625 Birkmire Drive  
Fairview, PA 16415  
Phone: 866-437-3040



Proudly Made in the USA