

PRODUCT ID: 2888

Post

MODEL

P60B

DIMENSIONS

60" H x 6" W x 6" D

CONSTRUCTION

Material: 2.25" x 3" rectangular, extruded aluminum post (6063-T6) with single sign mounting channel, one end cap and 6" sq. welded base plate. Base plate is a 3/16" thick aluminum plate with pre-drilled anchoring holes. Sign mounting hardware and set sc

MISCELLANEOUS

Finish: Duranodic Bronze

NOTE: Other LED colors, voltages, cabinet sizes, styles, and colors available.

iSigns
7625 Birkmire Drive
Fairview, PA 16415
Phone: 866-437-3040

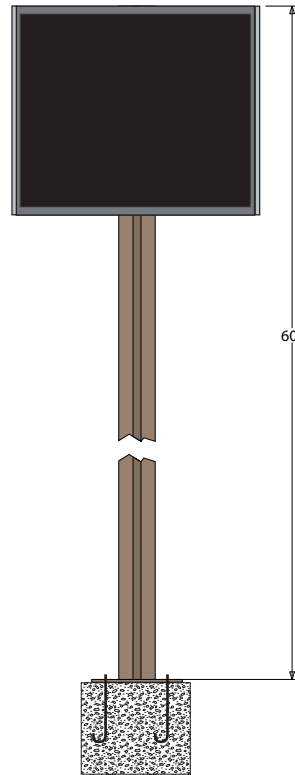


Proudly Made in the USA

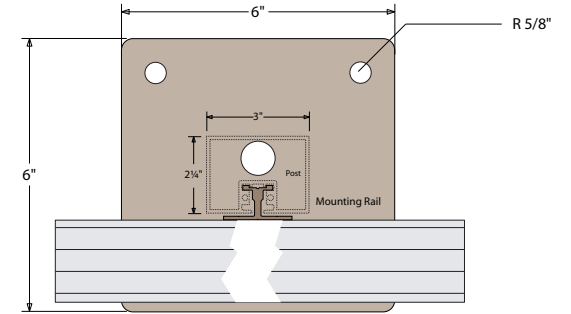
Product View

NOTE: Sign image may not exactly represent the finished product. For illustration purposes only.

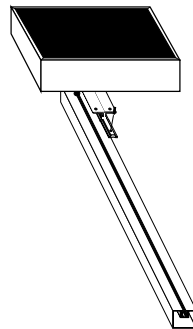
Front View



Top View



Installation



Single Post Mount

- Lay the post(s) on ground, slide cabinet with mounting extrusion already attached into post slot.
- Align the cabinet flush with top of the post(s).
- Tighten the set screw in the mounting extrusions and fasten the post cap on the post(s).
- Embed "J" hooks into foundation allow to cure and mount posts using appropriate fasteners.

Note: Make appropriate wiring connections per local codes.

