

PRODUCT ID: 35679

Extrusion

MODEL

SIS-12

DIMENSIONS

2.731" H x 1.42" W x 11.688" D (est. 0.819 lbs)

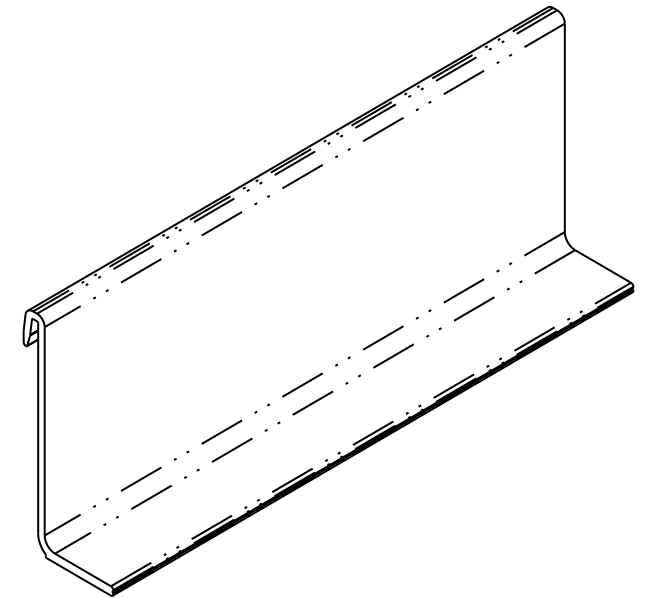
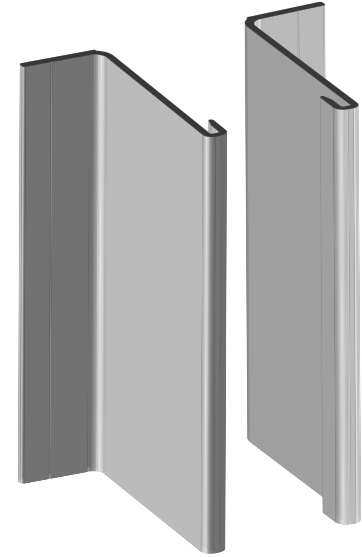
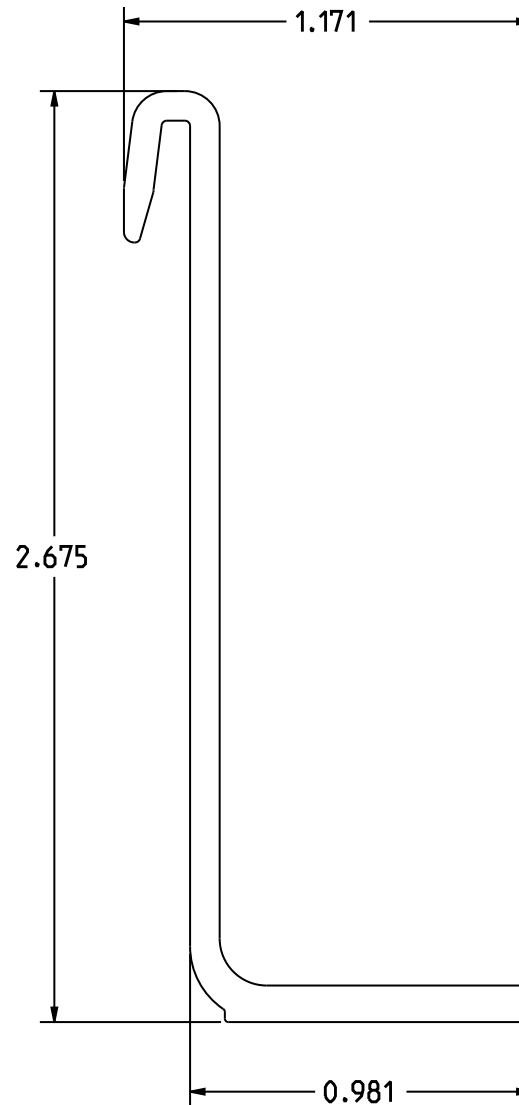
iSIGNS Inc.
7625 Birkmire Drive
Fairview, PA 16415
Phone: 866-437-3040
Website: www.isignsled.com



Proudly Made in the USA

Product View

NOTE: Sign image may not exactly represent the finished product. For illustration purposes only.



OVERALL LENGTH = SIGN DIMENSION - 5/16"