

## PRODUCT ID: 38889

### Recessed Frame

#### MODEL

RF1612

#### DIMENSIONS

19" H x 15" W x 2" D (est. 3.669 lbs)

#### CONSTRUCTION

Finish: Duranodic Bronze

Material: Formed 1/8" CNC routed aluminum. Holes for mounting sign pre-drilled.

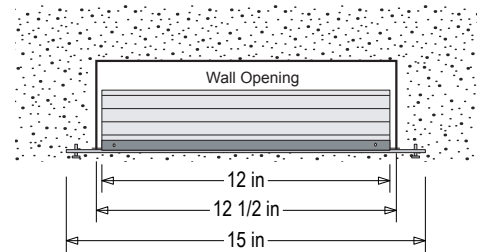
#### INSTALLATION

Note: Wall opening should be 0.5" larger than sign OD

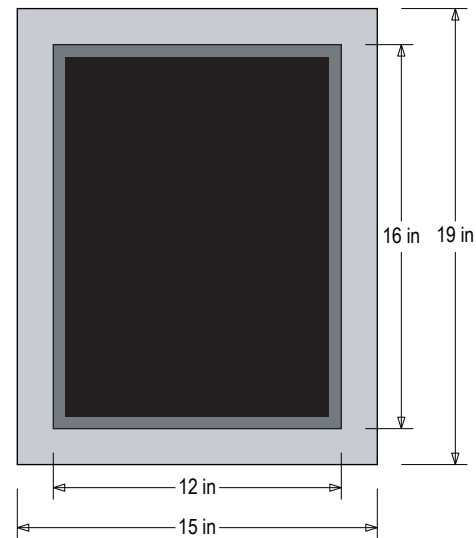
## Product View

NOTE: Sign image may not exactly represent the finished product. For illustration purposes only.

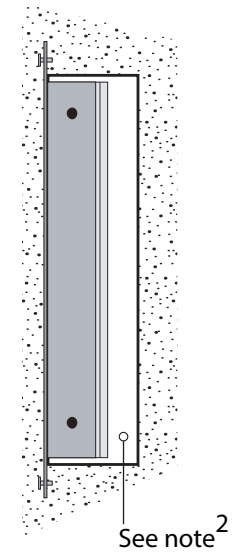
TOP VIEW



FRONT VIEW



SIDE VIEW



iSIGNS Inc.  
7625 Birkmire Drive  
Fairview, PA 16415  
Phone: 866-437-3040  
Website: [www.isignsled.com](http://www.isignsled.com)



Proudly Made in the USA

Note<sup>2</sup>: Allow clearance behind sign per local code or per electrical fittings.