

Switch SG/277VAC

PRODUCT ID

31885

DIMENSIONS

4.5" H x 2.75" W x 1" D

CONSTRUCTION

Finish: Switch plate brushed stainless steel

Switch: Switch with pre-wired pigtails and LED indicator lights

Switch plate: Stamped stainless steel pre-punched for switch(es) and indicator light(s)

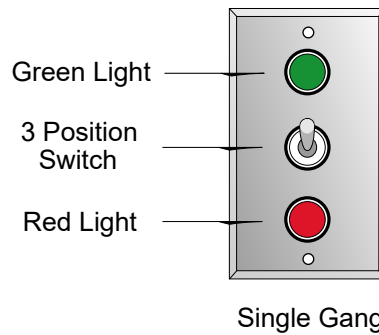
ELECTRICAL

Voltage: 277VAC

NOTE: Other LED colors, voltages, cabinet sizes, styles, and colors available.

Product View

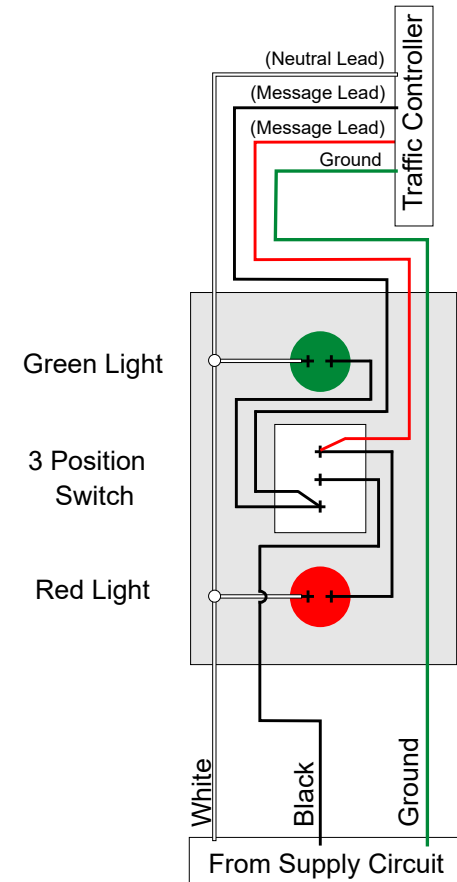
Front View



NOTE: Sign image may not exactly represent the finished product. For illustration purposes only.

Schematic View

Single Pole
Double Throw



iSigns
7625 Birkmire Drive
Fairview, PA 16415
Phone: 866-437-3040



Proudly Made in the USA

277VAC