

Switch SG/12VDC

PRODUCT ID

31708

DIMENSIONS

4.5" H x 2.75" W x 1" D

CONSTRUCTION

Finish: Switch plate brushed stainless steel

Switch: Switch with pre-wired pigtails and LED indicator lights

Switch plate: Stamped stainless steel pre-punched for switch(es) and indicator light(s)

ELECTRICAL

Voltage: 12V

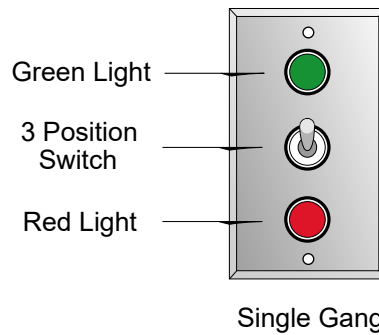
This sign is intended to be installed in accordance with the
or other applicable local codes. This includes proper grounding and

NOTE: Other LED colors, voltages, cabinet sizes, styles, and colors available.

Product View

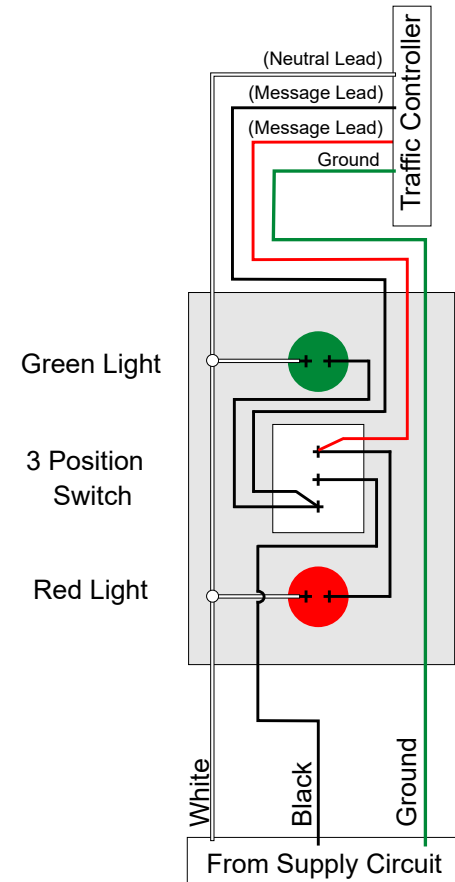
NOTE: Sign image may not exactly represent the finished product. For illustration purposes only.

Front View



Schematic View

Single Pole
Double Throw



iSigns
7625 Birkmire Drive
Fairview, PA 16415
Phone: 866-437-3040



Proudly Made in the USA

⚡ 12VDC