

# LED Light Engine LE-W/120-277V

## PRODUCT ID

2809

## DIMENSIONS

3.5" H x 5" W x 4" D

## CONSTRUCTION

**Dome:** Impact resistant optically clear polycarbonate

**Housing:** Injection molded white polycarbonate. Medium Edison base, direct replacement for incandescent light bulbs. Recommended for dry location only.

## ELECTRICAL

**Power:** Solid state, Low power requirements (4.4 Watts each)

## ILLUMINATION SOURCE

**Color:** White LEDs

**Source:** Super bright, wide viewing angle LEDs.

## MISCELLANEOUS

**Voltage:** 120 - 277 VAC

NOTE: Other LED colors, voltages, cabinet sizes, styles, and colors available.

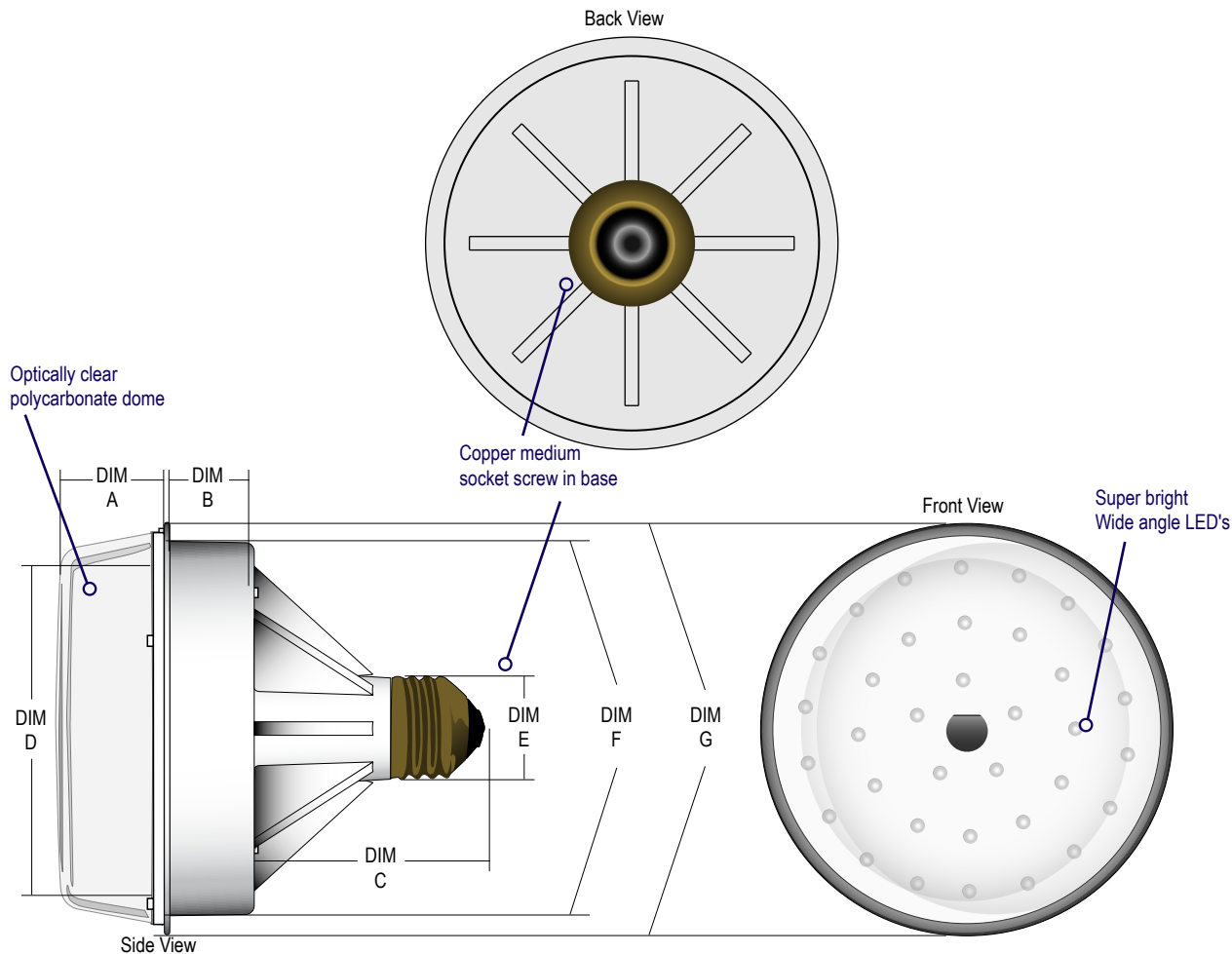
**iSigns**  
7625 Birkmire Drive  
Fairview, PA 16415  
Phone: 866-437-3040



Proudly Made in the USA

## Product View

NOTE: Sign image may not exactly represent the finished product. For illustration purposes only.



100,000-Hour Life Expectancy

LED Light Engine Dimesions

DIM A	DIM B	DIM C	DIM D	DIM E	DIM F	DIM G
1.00"	0.75"	2.25"	3.25"	1.00"	3.50"	3.875"