

# Inverted Single Post Mount P90B

## PRODUCT NUMBER

2890

## DIMENSIONS

90" H x 6" W x 6" D

## INSTALLATION METHOD

Mount to solid surface using appropriate fasteners using 6" x 6" baseplates.

## SYSTEM USES

Available for all signs.

## CONSTRUCTION

(2) 2.25" x 3" extruded aluminum post with end caps, 90" in length with welded aluminum 6" x 6" baseplates. Includes mounting extrusion and set screw.

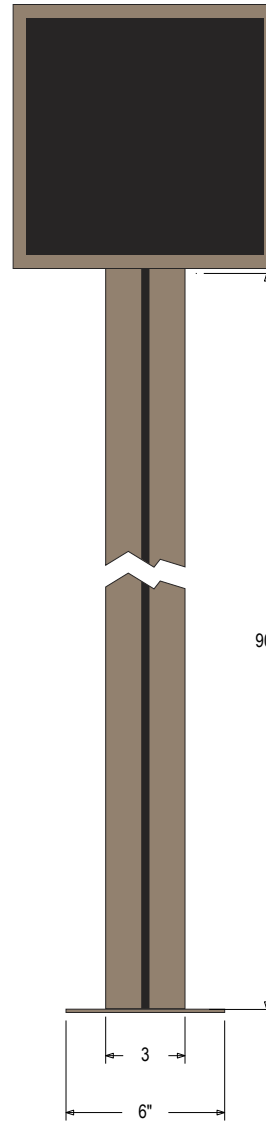
## FINISH

Standard Cabinet Color: Duranodic Bronze  
Custom colors available upon request

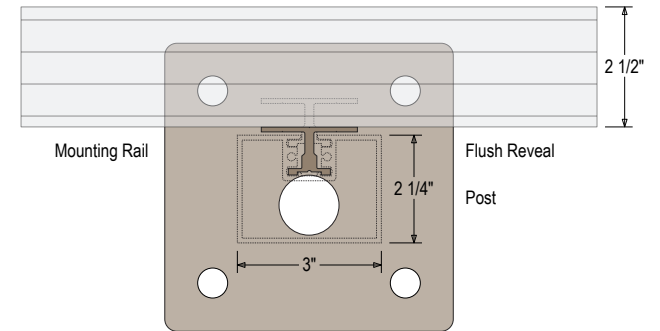
# Product View

NOTE: Sign image may not exactly represent the finished product. For illustration purposes only.

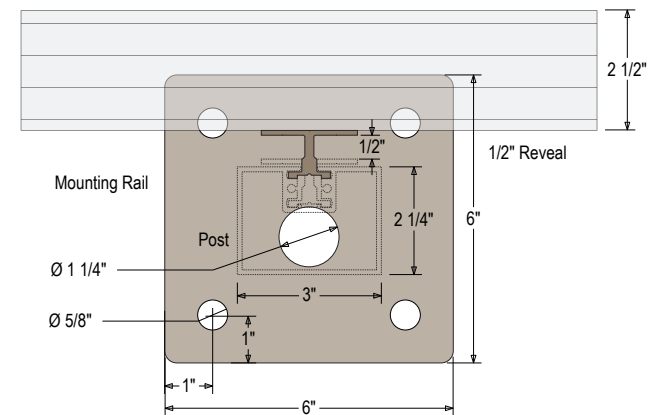
Front View



Top View Flush Reveal



Top View 1/2" Reveal



iSigns  
7625 Birkmire Drive  
Fairview, PA 16415



Proudly Made in the USA