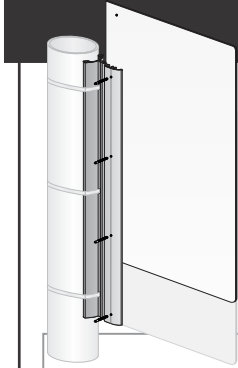


## Assembly and Installation Instructions

Carefully select the location of your Perma•Banner to be sure that it will be readily visible to those for which it is intended. Before installing any sign, be sure that the installation does not obstruct traffic or hamper local utilities, landscape, maintenance, snow-plowing, etc...



Pole Mount

### Step 1

Carefully unpack the bracket and panel assembly from the shipping cartons. Lay the unit on the ground (use shipping cartons underneath to avoid damage). The sign should have shipped completely assembled. Remove the sign panel by backing out the set screws. It is recommended to first install the extrusion only to the pole, then attach the panel to the extrusion once the banding and clamps are tight.

### Step 2

Plan carefully, it is important to check your clearances before beginning to install Perma•Banner pole signs. Determine the direction in which the panel needs to be seen and be sure it is mounted high enough to clear vehicles on roadsides and clear raised hands in pedestrian areas.

### Step 3

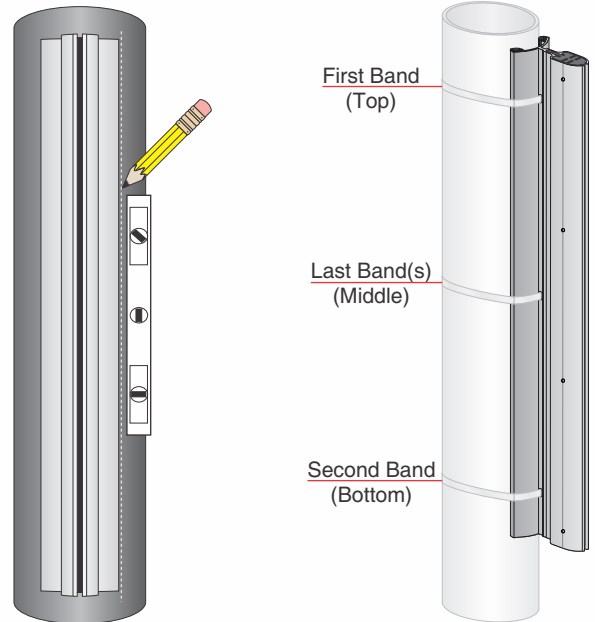
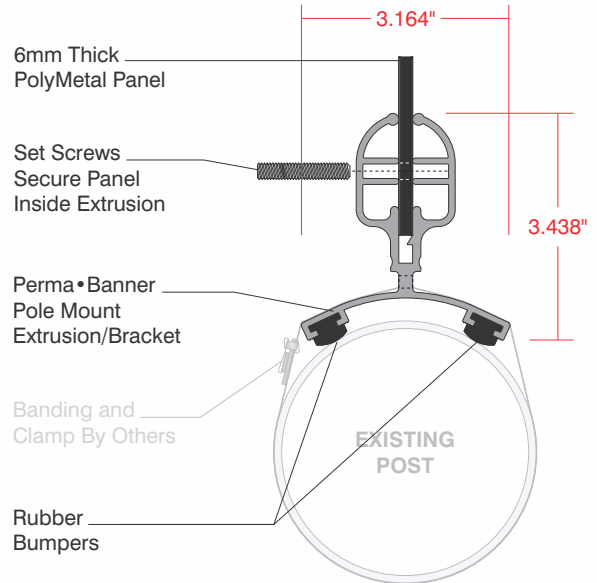
- The general idea in mounting these signs is to
1. Fasten the top stainless steel banding and clamp it to the pole first.
  2. Then make sure the extrusion is level and fasten the bottom banding and tighten with clamps.
  3. Thread and tighten the banding and clamps through all the middle slots of the extrusion, making sure the extrusion stays level from top to bottom.

**Note:** We recommends running the banding material through the slots in the Perma•Banner bracket and around the pole two times making a "Double Band". Double Banding develops a great deal more radial compression strength than Single Banding.



Make-A-Clamp Banding Kit sold separately

### Assembly Detail



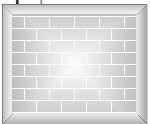
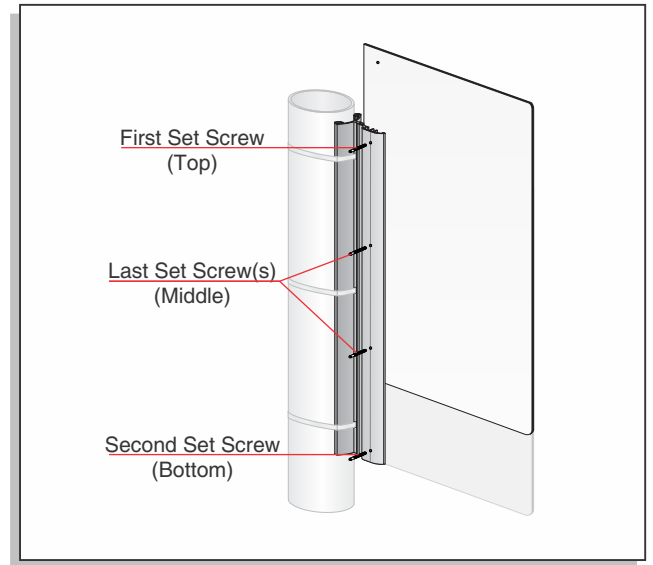


## Pole Mount Continued

### Step 4

Slide the sign panel into position. Line up the panel holes to the set screw holes in the bracket.

1. Fasten the top set screw to hold the sign panel in place
2. Fasten the bottom set screw next
3. Fasten the middle set screw(s) last



## Wall Mount

### Step 1

Remove the sign panel by backing out the set screws. It is recommended to install the bracket extrusion to the wall first, then re-attach the panel once the extrusion is secured to the wall.

### Step 2

Place the mounting extrusion in position, level, locate and mark the pre-drilled holes in the mounting strips on the wall. Secure the bracket to the wall surface using appropriate fasteners, not supplied.

Re-attach the sign panel:

1. Fasten the top set screw to hold the sign panel in place
2. Fasten the bottom set screw next
3. Fasten the middle set screw(s) last

