

TCL LED SERIES



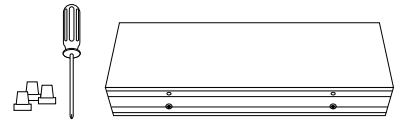
Installation Instructions

Voltage

This sign operates within an input range of 120VAC to 277VAC.

What You Need:

- Phillips Head Screw Driver
- Control Switch (*ordered separately*)
- Appropriate Wall Fasteners
- Wire Connectors
- Pencil
- Level



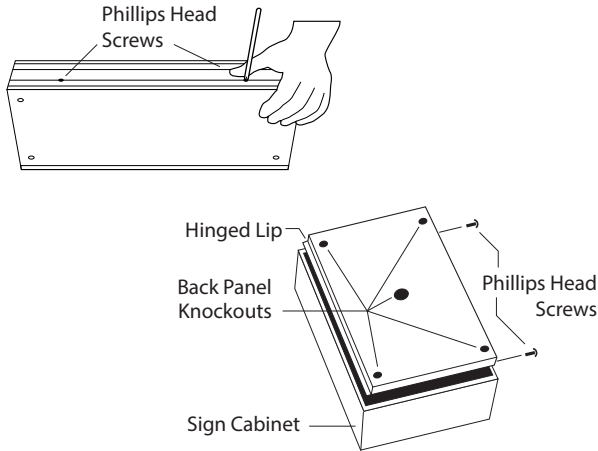
Always turn off the power prior to installation.



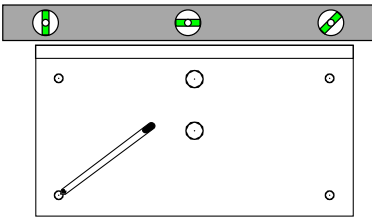
Be sure any metal debris cleared out of the cabinet.

Installation Steps

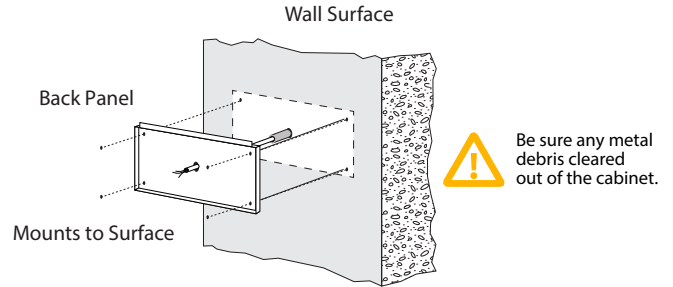
- Using a Phillips head screw driver, remove the two screws on the bottom of the cabinet. With the screws removed the back will lift off the cabinet. Remove the four mounting knockouts and the center knockout for your power conduit.



- Place the back panel on the wall surface using a level to make sure it's straight. Use a pencil to mark the locations of the mounting holes on your wall surface. Drill your wall surface. The diameter of the (4) four corner mounting knockouts is 1/4" and the conduit knockout is 7/8".

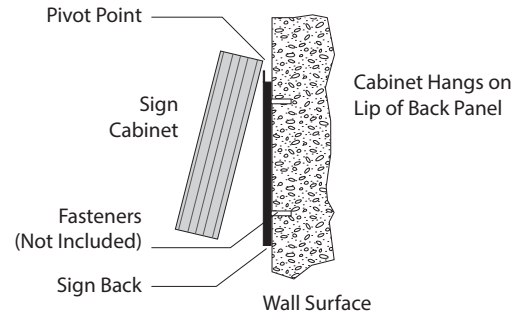


- Pull your electrical through the back panel and attach the back to the wall surface using appropriate fasteners.

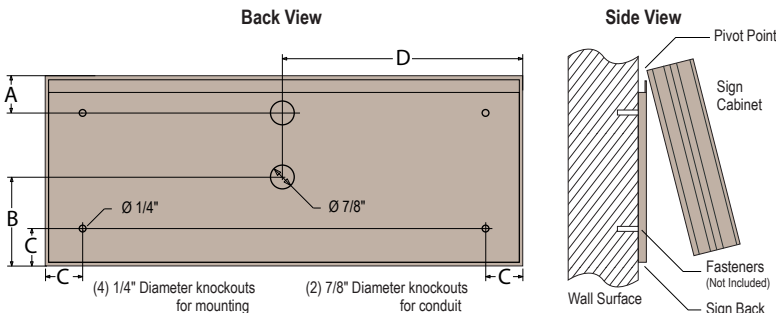


- Make your electrical wiring connections. See the other side of this page.

- With the electrical connections made, hang the sign cabinet on the lip of the back panel you mounted to the wall. Finish your electrical connection to the sign by reinstalling the pigtail connector to the power supply. The connector is "keyed" and can only be installed in one orientation. Close the cabinet and replace the two Phillips head screws you removed in step one.



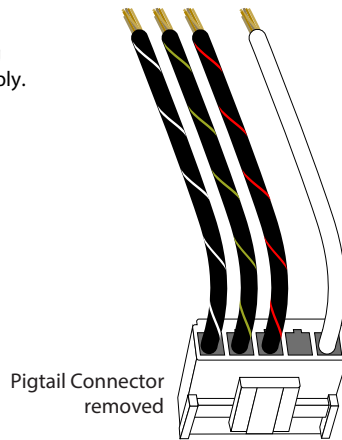
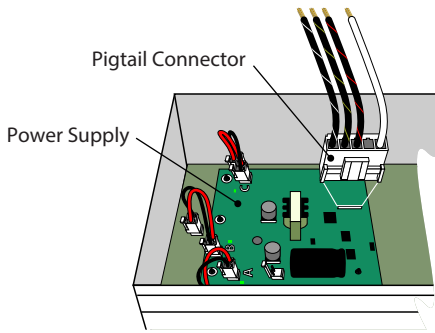
Wall Mount Installation



Cabinet High x Wide (Inches)	Dimension A Mounting Hole Vertical (Half of Sign Height)	Dimension B Center Knock-out Vertical	Dimension C Mounting Hole Horizontal	Dimension D Center Knock-out Horizontal (Half of Sign Width)
7 x 7	1 1/2"	3 1/2"	1 1/4"	3 1/2"
7 x 18	1 1/2"	2"	1 1/4"	9"
7 x 26	1 1/2"	3 1/2"	1 1/4"	13"
7 x 34	1 1/2"	3 1/2"	1 1/4"	17"
7 x 42	1 1/2"	3 1/2"	1 1/4"	21"
10 x 26	1 1/2"	5"	1 1/4"	13"
12 x 12	1 1/2"	6"	1 1/4"	6"
14 x 18	1 1/2"	7"	1 1/4"	9"
14 x 26	1 1/2"	7"	1 1/4"	13"
14 x 34	1 1/2"	7"	1 1/4"	17"
14 x 42	1 1/2"	7"	1 1/4"	21"
18 x 18	1 1/2"	9"	1 1/4"	9"

Making your Wiring Connections

1. To make your electrical connections easier, gently unplug the supplied wired pigtail connector from the power supply.



(Actual wire count varies by number of messages)

2. With your incoming power already running through the mounted back you can easily make all connections to the pigtail using wire connectors. (See below for diagrams of the various wiring applications)
3. Plug the pigtail connector back into the power supply to finish off the electrical part of your installation. The connector is "keyed" and can only be installed in one orientation
4. You're done with the electrical! Time to close up the sign by pushing the cabinet closed and replacing the two screws you removed from the bottom of the cabinet.

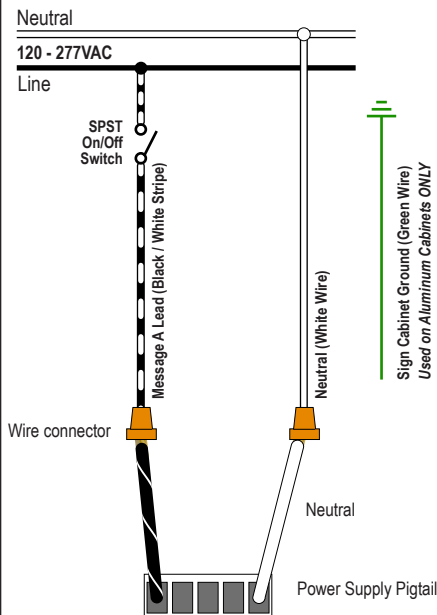


Note: Make appropriate wiring connections per local code.

Wiring for a Single Message Sign

- Wire color of Message A Black/White Stripe

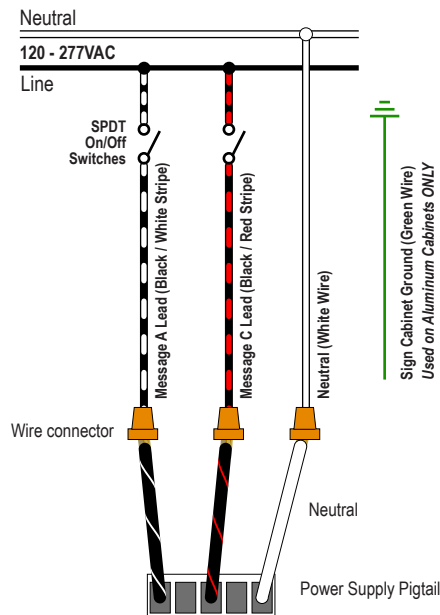
Input range of 120 to 277VAC



Wiring for a Two Message Sign

- Wire color of Message A Black/White Stripe
- Wire color of Message C Black/Red Stripe

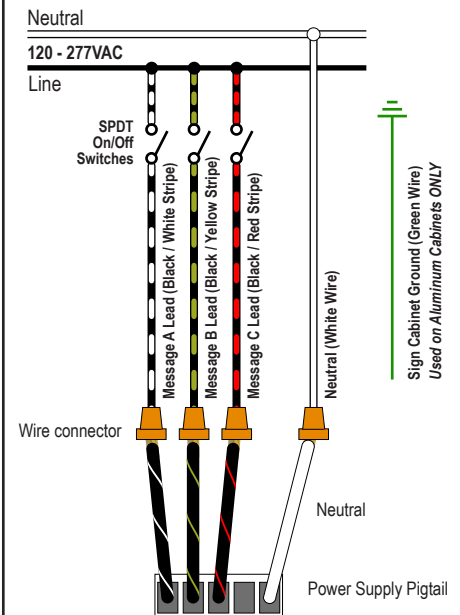
Input range of 120 to 277VAC



Wiring for a Three Message Sign

- Wire color of Message A Black/White Stripe
- Wire color of Message B Black/Red Stripe
- Wire color of Message C Black/Yellow Stripe

Input range of 120 to 277VAC



Note: Make appropriate wiring connections per local code.

Note: Any holes drilled into sign cabinet MUST be sealed. Failure to do so may cause a short and void warranty.

Note: This sign is intended to be installed in accordance with the requirements of Article 600 of the National Electric Code and/or other applicable local codes. This includes proper grounding and bonding of the sign.

Normal Operation

There are 4 LEDs on the power supply

+12V LED

Illuminates green when 120-277V power is applied to the Pigtail.

Note: Transformer on power supply converts 120V power to 12V.

A Output LED

Illuminates with power applied to Black/White stripe wire

B Output LED

Illuminates with power applied to Black/Yellow stripe wire

C Output LED

Illuminates with power applied to Black/Red stripe wire

